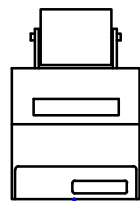


CAB MOUNTED OPTIONS

REMOTE MOUNTED OPTIONS

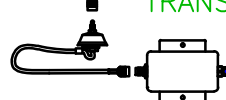
PRINTER



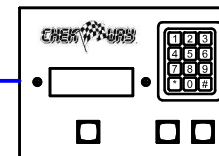
G.P.S. UNIT



TRANSCIEVER



REMOTE INTERROGATION UNIT



TRANSCIEVER

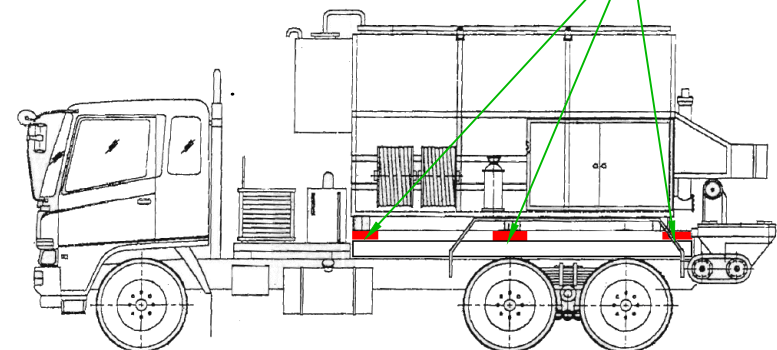
ENGINE DRIVER
CWE-5300

SMART AMP
CWE-5200

DISPLAY UNIT
CWE-5100

D.C. POWER

BODY MOUNTED
LOAD CELLS



CHEK-WAY® SYSTEM - 6X4 RIGID AUGER - 6 BODY MOUNTED LOAD CELLS



Tramanco Pty. Ltd.

Phone: +61 7 3892 2311 A.B.N. 62 010 101 872
 Fax: +61 7 3892 1819 A.C.N. 010 101 872
 Email: tramanco@bigpond.com

SCALE: NONE	DATE: 29/04/10
DRAWN: RJK	APPROVED:
DRAWING NUMBER 87-5363	REVISION -

NOTE: This drawing in whole or in part is protected by copyright. Do not copy.